

File Name: burkert 2702 manual.pdf

Size: 1316 KB

Type: PDF, ePub, eBook

Category: Book

Uploaded: 4 May 2019, 12:39 PM

Rating: 4.6/5 from 830 votes.

Status: AVAILABLE

Last checked: 9 Minutes ago!

In order to read or download burkert 2702 manual ebook, you need to create a FREE account.

[**Download Now!**](#)

eBook includes PDF, ePub and Kindle version

[Register a free 1 month Trial Account.](#)

[Download as many books as you like \(Personal use\)](#)

[Cancel the membership at any time if not satisfied.](#)

[Join Over 80000 Happy Readers](#)

Book Descriptions:

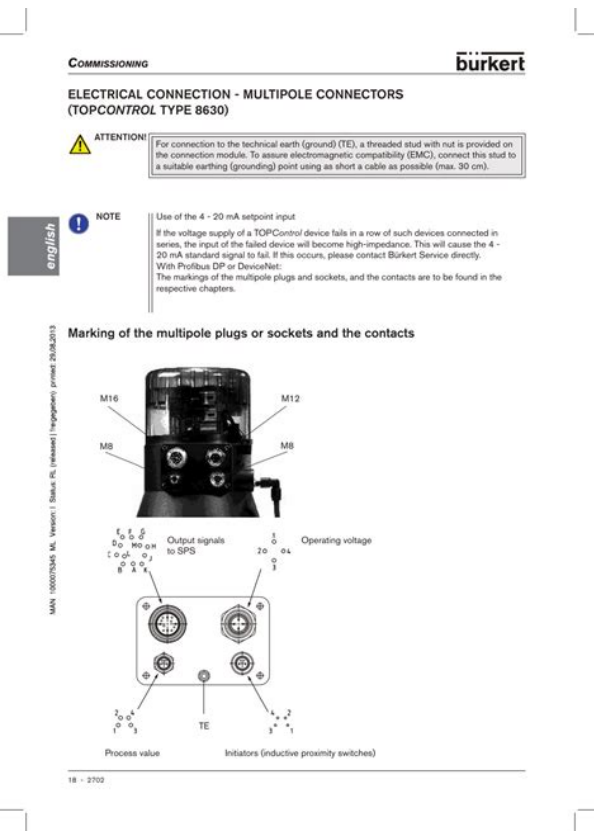
We have made it easy for you to find a PDF Ebooks without any digging. And by having access to our ebooks online or by storing it on your computer, you have convenient answers with burkert 2702 manual . To get started finding burkert 2702 manual , you are right to find our website which has a comprehensive collection of manuals listed.

Our library is the biggest of these that have literally hundreds of thousands of different products represented.



Book Descriptions:

burkert 2702 manual



Please consider the technical attributes. The parabolic valve disc results in a flow capacity approximately 35% larger than conventional control valves. It is available in either stainless steel on stainless steel or with a durable PTFE seal for tight shutoff. The TopControl thus forms an optical and functional unit with the pneumatic actuator as a complete control valve system. This system has been engineered for reliable accurate control in applications where high flow rate is an advantage. Type 2702 with manual actuator and position indicator is designed with a parabolic trim and therefore it can be used to control a defined flow. Burkert reference 166118 All transactions are 100% secured. Des Douilles Et Des Contacts Des Douilles Et Des Contacts We accept no liability for any kind of collateral damage which can occur due to failure or malfunction of the device. Turn only the upper switch to the idle position 4b. The piston stays in the upper position even after the compressed air is switched off. 2702 15. Normally the air will escape slowly. After 10 hours, however, this procedure should be completed. 16 2702. Marking of the multipole plugs or sockets and the contacts Output signals Operating voltage to SPS Process value Initiators inductive proximity switches 18 2702. PIN 3 and PIN 4 must be bridged at the sensor. 20 2702. Screw to adjust the lower proximity switch Screw to adjust the upper proximity switch 2702 23. To ensure electromagnetic compatibility EMC resistance, the interior M4 threading of the armature must be connected to ground with the shortest possible cable. M4internal thread 24 2702. Turn only the upper switch to the idle position 4b. The piston stays in the upper position even after the compressed air is switched off. 28 2702. Normally the air will escape slowly. After 10 hours, however, this procedure should be completed. 30 2702. Danger due to spraying of fluids under high pressure. <http://818massage.com/upload/dell-2224-switch-manual.xml>

- **burkert 2702 manual, burkert 2702 manual valve, burkert 2702 manual, burkert 2301**

manual, burkert 2702 manual pdf, burkert 2702 manual download, burkert 2702 manual transmission, burkert 2702 manuals.

COMMISSIONING



ELECTRICAL CONNECTION - MULTIPOLE CONNECTORS (TOPCONTROL TYPE 8630)

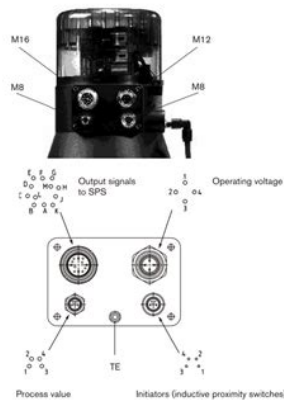


ATTENTION!
For connection to the technical earth (ground) (TE), a threaded stud with nut is provided on the connection module. To assure electromagnetic compatibility (EMC), connect this stud to a suitable earthing (grounding) point using as short a cable as possible (max. 30 cm).



NOTE
Use of the 4 - 20 mA setpoint input
If the voltage supply of a TOPControl device fails in a row of such devices connected in series, the input of the failed device will become high-impedance. This will cause the 4 - 20 mA standard signal to fail. If this occurs, please contact Bürkert Service directly.
With Profibus DP or DeviceNet:
The markings of the multipole plugs and sockets, and the contacts are to be found in the respective chapters.

Marking of the multipole plugs or sockets and the contacts



18 - 2702

Always interrupt the medium flow before disassembling or opening the device, and let off the pressure in the hose system. Drehen Sie nur den oberen Schalter bis zur Ruhelage 4b. Der Kolben bleibt in der oberen Lage, auch wenn die Druckluft abgeschaltet wird. 2702 45. Normalerweise entweicht die Luft langsam. Nach 10 Stunden sollte dieser Vorgang jedoch abgeschlossen sein. 46 2702. Restwelligkeit 10 % 2702 51. M4Innengewinde 54 2702. Drehen Sie nur den oberen Schalter bis zur Ruhelage 4b. Der Kolben bleibt in der oberen Lage, auch wenn die Druckluft abgeschaltet wird. 58 2702. Spannstift 2702 59. Normalerweise entweicht die Luft langsam. Nach 10 Stunden sollte dieser Vorgang jedoch abgeschlossen sein. 60 2702. Pour des raisons de compensation des conducteurs, branchez le capteur PT 100 au moyen de 3 conducteurs. Taraudage M4 84 2702. Var uppmarksam pa andringarna som trader i kraft i och med det Den paraboliska ventilkaglan ger en ca. 35 % större flodeskapacitet än konventionella reglerventiler. Enheten kan erhållas antingen i rostfritt stål på rostfritt stål eller med permanent PTFE-tätning för komplett tätning. På så vis bildar TopControl tillsammans med det pneumatiska drivdonet en optisk och funktionell enhet som komplett reglerventil. Dessa system har konstruerats för tillförlitlig, noggrann styrning för användningsområden där hög flodeshastighet är en fördel. Den paraboliska ventilkjeglen gir runt 35 % högre genomströmningsskapacitet än vanliga reglerventiler. Den kan enten leveres med rustfritt stål på rustfritt stål eller med en holdbar PTFE-tätning for tett avsperring. Dermed danner TopControl med det pneumatiske drevet som komplett reglerventil en optisk og funksjonell enhet. Dette systemet er konstruert for palitelig, nøyaktig styring i bruksområder der en stor gjennomstrømningssmengde er en fordel. Linguee Look up words and phrases in comprehensive, reliable bilingual dictionaries and search through billions of online translations. <http://cesiedizioni.com/userfiles/dell-2209wa-manual.xml>

ELECTRICAL CONNECTION - MULTIPOLE CONNECTORS
(TOPCONTROL TYPE 8630)

ATTENTION!

For connection to the technical earth (ground) (TE), a threaded stud with nut is provided on the connection module. To assure electromagnetic compatibility (EMC), connect this stud to a suitable earthing (grounding) point using as short a cable as possible (max. 30 cm).

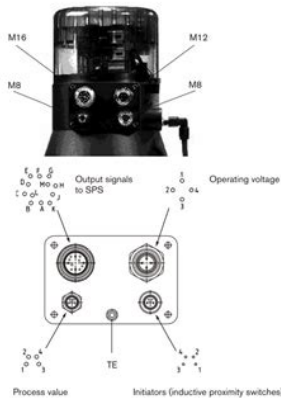


NOTE

Use of the 4 - 20 mA setpoint input

If the voltage supply of a TOPControl device falls in a row of such devices connected in series, the input of the failed device will become high-impedance. This will cause the 4 - 20 mA standard signal to fail. If this occurs, please contact Burkert Service directly.
With Profibus DP or DeviceNet:
The markings of the multipole plugs and sockets, and the contacts are to be found in the respective chapters.

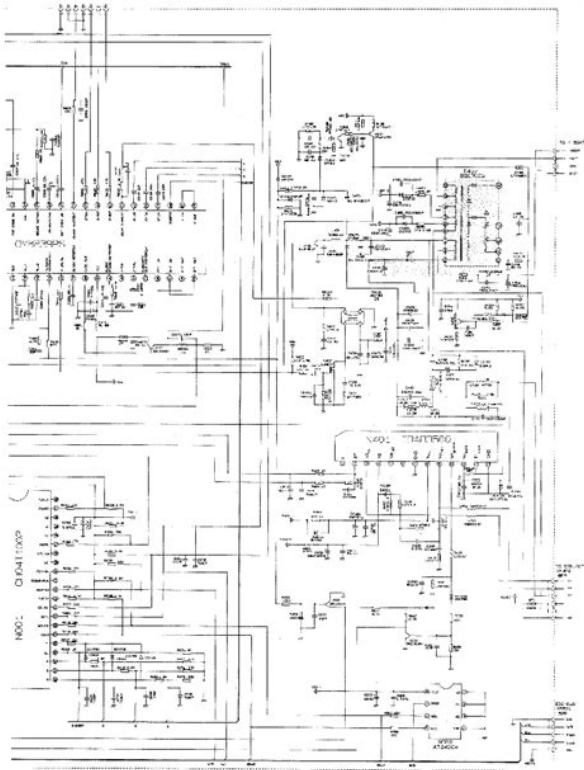
Marking of the multipole plugs or sockets and the contacts



18 - 2702

Blog Press Information Linguae Apps You helped to increase the quality of our service. Manuel d utilisation. Type 8694. Positioner TopControl Basic. Electropneumatic position controller. Elektropneumatischer Stellungsregler. 21 Feb 2012. In a completely different league at a fraction of the cost of traditional I to P style pancake control valves, Burkert s new OEM positioner gives. 20 Feb 2012. Burkert 8693 PID TopControl. Digital electropneumatic Positioner for the integrated mounting on process control valves. Positioner TopControl Basic ELEMENT design, DN 4100. Type 8692. Positioner. Type 8694. Positioner BASIC. Type 8693. Process controller. Type 8696. Positioner BASIC for Burkert s. Here is a Burkert 8694 digital electropneumatic positioner for integrated mounting on process control valves. This was pulled from late model automation. RIEGER control valves are especially convincing in pharmacy, but also in the food sector by strength and durability. This is based on the PTFE flow control. With unlimited modularity, Burkert saves you time by offering valves for media from. 8694. Speciality. Simple strong connection to process valve. The positioner, Type 8694, registers the valve position without deterio. Reload to refresh your session. Reload to refresh your session. The parabolic valve disc results in a flow capacity approximately 35% larger than conventional control valves. Please consider the technical attributes. The reliable selfadjusting packing gland provides high sealing integrity. These maintenancefree and robust valves can be retrofitted with a comprehensive range of accessories for position indication, stroke limitation or manual override. The parabolic trim results in a fl ow characteristic approximately 35% larger than conventional control valves. This system has been engineered for reliable accurate control in applications where high fl ow rate is an advantage.

Excellent control characteristics and high flow rates Long service life Robust actuators with modular accessory program Stainless steel housing with thread and weld end connections For selecting the correct product please refer to the technical data, images and notes for proper use according to the data sheet. All rights reserved.



<http://www.drupalitalia.org/node/77102>

<https://diving-gbdf.com/images/bounty-hunter-quick-draw-ii-metal-detector-manual.pdf>



<http://dj-jhonny.com/images/bounty-hunter-quick-draw-2-owners-manual.pdf>

