

File Name: bunn gr10b manual.pdf

Size: 4224 KB

Type: PDF, ePub, eBook

Category: Book

Uploaded: 4 May 2019, 15:42 PM

Rating: 4.6/5 from 727 votes.

Status: AVAILABLE

Last checked: 15 Minutes ago!

In order to read or download bunn gr10b manual ebook, you need to create a FREE account.

[**Download Now!**](#)

eBook includes PDF, ePub and Kindle version

[Register a free 1 month Trial Account.](#)

[Download as many books as you like \(Personal use\)](#)

[Cancel the membership at any time if not satisfied.](#)

[Join Over 80000 Happy Readers](#)

Book Descriptions:

We have made it easy for you to find a PDF Ebooks without any digging. And by having access to our ebooks online or by storing it on your computer, you have convenient answers with bunn gr10b manual . To get started finding bunn gr10b manual , you are right to find our website which has a comprehensive collection of manuals listed.

Our library is the biggest of these that have literally hundreds of thousands of different products represented.



Book Descriptions:

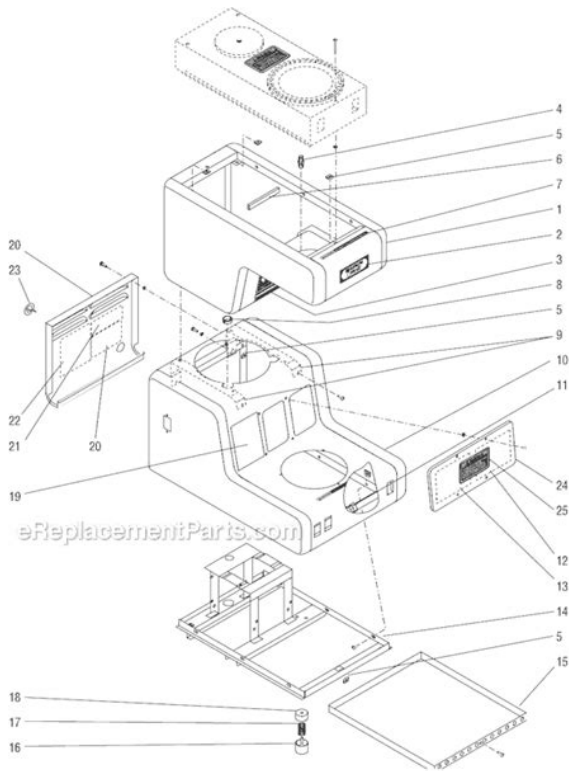
bunn gr10b manual



BUNN coffee Your BUNN PourOmatic areas of the country. For high altitude use, over 5000 feet, the models with a "D" designation should be used. Hazardous Voltage! Can Cause Fire Or Electrical Shock. Do Not Disassemble The Brewer. There Are No User Serviceable Parts Inside! Safety features, designed into the BUNN brewer, make the daily use of this switch unnecessary. Both require a good recipe. Proper coffee making needs quality equipment to precisely control water temperature, volume, and brew time. The BUNN consistency in your recipe by controlling all of these elements. The only variables remaining in the recipe are the grind and amount of coffee used. Occasionally, wipe the outside of the brewer including the area above the funnel with a damp cloth. The brew funnel and decanter are top rack dishwasher safe. DELIMING Periodically, you should delime the brewer to clear any deposits that may have accumulated due to impurities in the water source. Follow steps 47 of the PERIODIC CLEANING section. You should have JavaScript enabled in your browser to utilize the functionality of the website Parts Town and 3Wire have joined forces and teamed up with IPC, combining the team you know with the largest inventory in the industry and cutting edge technology to give you the absolute best experience. Things look a little different, that's true, but you are indeed in the right place. Hi there, welcome to Parts Town. Parts Town and 3Wire have joined forces and teamed up with NDCP, combining the team you know with the largest inventory in the industry and cutting edge technology to give you the absolute best experience. Parts Town and 3Wire have joined forces and teamed up with SMS, combining the team you know with the largest inventory in the industry and cutting edge technology to give you the absolute best experience. Hi

there! <http://southbeachnightclubpromotions.com/stock/userfiles/dekaron-uprising-manual-patch.xml>

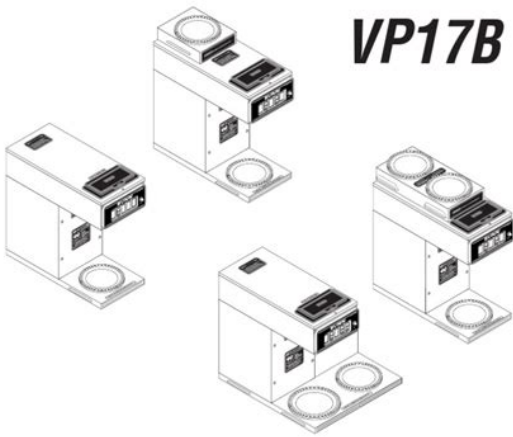
- **bunn gr10b manual, bunn gr10b manuals, bunn gr10b manual download, bunn gr10b manual pdf, bunn gr10b manual instructions.**



RSCS and Parts Town have joined forces, combining the team you know with the largest inventory in the industry and cuttingedge technology to give you the absolute best experience. Parts Town and 3Wire Foodservice have joined forces. Now youll work with the great team you know, while having access to the largest inventory in the industry and cuttingedge technology. Lets go! Continue to Parts Town What You Can Expect Always Genuine OEM The Most InStock Parts on the Planet Breakthrough Innovations Exceptional Customer Experience Same Day Shipping Ready to get started. Lets go! Continue to Parts Town Looking for beverage equipment parts. Marmon Link is the new home for genuine OEM parts for the Marmon family of equipment manufacturers. Find beverage dispense parts and accessories, as well as parts for Cornelius, Prince Castle, Silver King, Angelo Po, and Saber King units. Continue to Marmon Link Please try again. Please try again later. Whether its a cover, switch or Oring, genuine OEM components and attachments are made to fit and function with your exact piece of equipment. Dont let a broken machine stop you from brewing hot coffee or making icy drinks. Find the right Bunn commercial parts for major repairs or daytoday upkeep. They make a wide variety of equipment like Each component is durable, so your coffee maker runs smoothly every day. Have other beverage equipment. Choose from a wide selection of Bunn slush machine parts, tea dispenser accessories and more for your unit. That's why Parts Town offers same day shipping on instock replacement parts until 9 PM ET MondayFriday and all online orders until 4 PM ET Saturday. We also have a large collection of Bunn manuals and diagrams. Check out everything from maintenance advice to Bunn parts lists all in one easy place. Please try again later. No worries, it's really easy. No need to remember another username, you will now use your email address. Its listed below. <http://www.xboxheerlen.nl/userfiles/dekaron-manual-update.xml>

BUNN®

VP17 VP17B



OPERATING & SERVICE MANUAL

BUNN-O-MATIC CORPORATION
POST OFFICE BOX 3227
SPRINGFIELD, ILLINOIS 62708-3227
PHONE: (217) 529-6601 FAX: (217) 529-6644

To obtain the Illustrated Parts Catalog, visit the Bunn-O-Matic website, at www.bunn.com. This is absolutely FREE, and the quickest way to obtain the catalog. Contact Bunn-O-Matic Corporation at 1-800-286-6070 to obtain a paper copy of the required Illustrated Parts Catalog mailed via U.S. Postal Service.

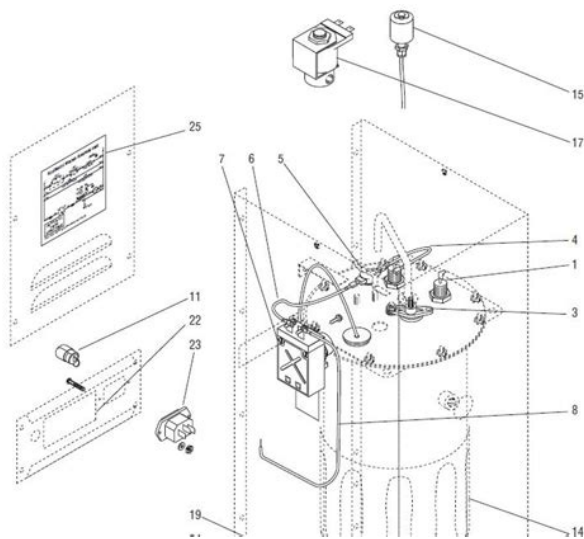
10860.0000E 04/07 ©1996 Bunn-O-Matic Corporation

www.bunnomatic.com

Once logged in you can view pricing and order these parts. OK Please try again. Always Available free backorder shipping applies to UPS Ground shipments only. Excludes international orders, UPS Freight orders, consolidated shipments, factory drop ship orders, and ship complete orders. Program details subject to change at any time. No need to type it all again. That just makes things WAY easier. Plus, you'll be able to access any discounts or contract pricing that may be available to you. That's important. The real question is, why wouldn't you log in Everybody loves cookies. Okay, they're not those kind of cookies, but they're still great. Your selected catalog region indicates that you are outside the U.S. Please change your region to North America U.S. if you wish to check out. For international orders please call us at 1 217 529 6601. Our payment security system encrypts your information during transmission. We don't share your credit card details with thirdparty sellers, and we don't sell your information to others. Change at checkout. To hide it, choose Ship in Amazon packaging at checkout. Please try again. Please try again. Item dimensions is 14.8 high x 7.1 wide x 13.8 deep inch. Note replace sprayhead and brew funnel. Pour additional carafes of fresh, cold water into the brewer as needed until water has no vinegar smell or tasted Show details. Sold by Bingo Grabe and ships from Amazon Fulfillment. Register a free business account Please try your search again later. Slide the Brew Funnel into the brewer and turn on the warmer. Three minutes later you'll have great coffee that is never bitter. Now when you pour, coffee goes where it should into the cup and not on your counter. Pattern Name Coffee Brewer After the one time initial setup process, simply add your favorite coffee to the filter basket, pour in fresh water, close the lid and the coffeemaker begins to brew immediately. In fact, they brew a 10cup pot of coffee in about three minutes. That's fast!

Pattern Name Coffee Brewer To calculate the overall star rating and percentage breakdown by star, we don't use a simple average. Instead, our system considers things like how recent a review is and if the reviewer bought the item on Amazon. It also analyzes reviews to verify trustworthiness. Please try again later. David 5.0 out of 5 stars My previous maker made it 6 years. Manufactured in 2013 and went out 3 days ago it probably would have lasted longer but I have very hard water, never filtered it, and never cleaned the maker, NEVER. After taking it apart to see if it could be fixed I had a very good view of what that hard water did to my coffee maker. This time I will be using filtered water and will be cleaning the maker once a month. Now, with all that said, I did read all or most of

all the negative reviews and seen where people said "The filter basket will overflow water and coffee grounds" "The coffee maker smelled like burning plastic for 23 days from initial use" "You can't get the maker to make a strong enough cup of coffee" "The coffee temperature is not hot enough after it finishes brewing" "Bunn coffee makers use to be great now they're junk, don't wast your money" Now as far as all of the complaints above I've experienced none. I like real strong coffee so I fill the filter almost full of coffeeit's strong trust me it doesn't overflow on me. It's hot enough that if you pour a fresh cup and try and take a big drink you're going to scald the inside of your mouth. No burning plastic smell at all. Completely brews a pot of coffee in 3 minutes. Oh yeah, I read where some said you have to fill up the water tank after every pot of coffee brewed or remember to turn off the water tank switch or you'll burn up the heating element. That's completely wrong because once you get enough water in the maker that the water begins to come out into the pot there's always water in the tank unless you turn the maker upside down and drain it.

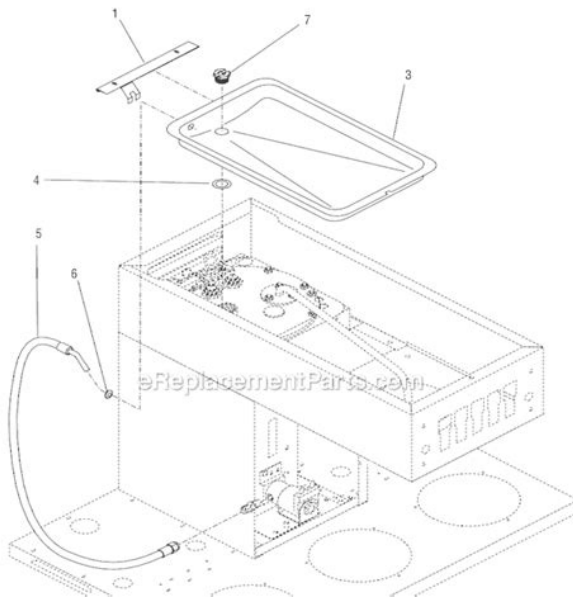


<http://www.bouwdata.net/evenement/3gs-iphone-manual-pdf>

I gave this Bunn 5 stars all the way across. My only and last question is how long will it last. If it goes out before 3 years I'll let you know. Thanks for taking the time to read this and I hope it helped you out on your decision. I have owned these coffee makers for years and always LOVED them. The new model and my last model had issues with overflowing the coffee filter and going all over the counter top. If these need another part to restrict the flow, they should come with the option already attached to the unit. The new unit is continuously dumping coffee and water and grinds on counter top. Problem becomes worse when giving these for gifts and they have the same problems with no solution. Yes, we have always used the BUNN filters and have reduced the coffee level to such a degree that the coffee is so weak its a poor cup of coffee. Well I wrote to the company and they did send me a low flow nozzle. Yes it did work and the coffee maker is still quicker than other coffee makers. I have increased my coffee in the filter and have a much better stronger cup of coffee again. I have suggested to the company that these restrictor nozzles should come with the machine. It would eliminate the bad reviews that come with overflowing the coffee filter. I changed my review to like as I really feel that these restrictor nozzles should come new with the Bunn Coffee maker. The maximum temp of the freshly brewed coffee is 170 degrees; it should be between 190-200 degrees. It brews quickly but needs a followup heating in the microwave. We are returning it. I am one of those guys who yells at the microwave to hurry up. Even remembering the days of TV dinners that you had to heat in the OVEN. Back when the TV remote was the closest kid to the TV and everyone in the family new the sweet spot in adjusting the rabbit ears to get good reception. Back to the Bunn. Before there was Mr. Coffee, the sexist misogynistic jackass he is, there was Bunn. Think

COMERCIAL coffee maker.

<http://esxpublishers.com/images/boston-acoustics-cr400-subwoofer-manual.pdf>



In the days where it took fifteen minutes for Mr. Coffee to even show up to the race, Bunn has me four cups in. I say, and take it from me as I'm a professional coffee drinker, there is no better coffee maker out there unless it produces IV bags and a drip that lets you just mainline your coffee. Until that is invented, Bunn baby. However, I want to recommend that you clean your machine often. I've had this machine since January, use it daily, but decided that maybe it needed a thorough cleaning today. I ran a pot of bleach through it, and this was the result. I have been having some stomach trouble for the last month, checked online and saw that other people have thought that maybe it was their coffee maker. After looking at this pot of brown water, I think maybe they are right. Prior to this I had one of the Tim Horton coffee brewers which is basically a Bunn; made by Bunn. I thought it was a crazy price for a coffee maker. It is very much worth the money. The previous one lasted for 10 years. So all in all that works out pretty cheaper. And in my household it is going all day long 8am to 11pm; pot after pot. WELL worth the money. Sorry, we failed to record your vote. Please try again Now a days who can afford the extra hydro, and then you are drinking hot water sitting in the pot for days, May as well pour boiling water over a filter with coffee grounds in it, you get the same results. Sorry, we failed to record your vote. Please try again The person who wrote the setup instructions deserves an award for clarity. Even a dummy like me who struggles to follow instructions can set this machine up easily and error free. Pros Best drip coffee you can drink at home. It rivals the coffee served by the best restaurants and diners. Fast brewing. A full pot of coffee brews in 2 to 3 minutes. Cons If you live in an area with soft water, you must call Bunn to obtain a flow restrictor or use a coarser grind of coffee. Note, coarser grind affects the taste.

<http://ethicalprogramsdistribution.com/images/boston-acoustics-cr57-manual.pdf>



Bunn will ship the flow restrictor to you free of charge but it is basically a 10 cent piece of plastic which should be included in the box. While you wait 2 or 3 days for the flow restrictor to arrive, remove the existing spray nozzle and break off a toothpick in one of the holes. Still, if you like a morning cup of coffee this machine is worth the price. Sorry, we failed to record your vote. Please try again I've struggled for a while with bad tasting coffee and have purchased quite a few machines. I definitely found the solution with this baby. I get compliments on my coffee all the time from guests. I enjoy how quickly you can brew a pot. There is really no need for a time delayed brew option because it brews so quickly. I shut the lid, get dressed for the day and it's ready! Sorry, we failed to record your vote. Please try again The carafe itself feels quite fragile, and there is nothing in place to stop the carafe from sliding off of the element; the sides and at the back. We had to add a piece to stop the carafe from sliding into the coffee maker, off of the burner. Sorry, we failed to record your vote. Please try again It is quiet, makes my coffee in 3 minutes or less. Easy to use and clean. Doesn't sputter and make a mess like some coffee makers I have had in the past. Taste is so much better. I brought the same coffee I have been using in the Bunn to the cottage and used the coffee maker there, I believe it was a Black and Decker. Oh my. noticeable difference in the taste. You get what you pay for. Sorry, we failed to record your vote. Please try again Sorry, we failed to record your vote. Please try again Would highly recommend. So nice to have a real cup of coffee that is quick and easy without having to use coffee pods. Sorry, we failed to record your vote. Please try again Pros It makes a decent cup of coffee fast. Cons 1 Cheaply made with cheap materials. 2 Thing can overflow if you're not careful.

Some people recommend using the 12 cup filters with this thing to help with the overflow, but that causes other problems; don't do it. The design of this machine is problematic. Sorry, we failed to record your vote. Please try again Perfect if you brew multiple back to back pots or have company show up unexpectedly. 3 minutes and it's ready. Sorry, we failed to record your vote. Please try again The filters that came with this new machine were garbage, made a mess of grinds every time. I now only use filters from Tim Hortons, they are a little better but still end up with some grinds in the pot. I miss my Tim Hortons Home brew machine. Sorry, we failed to record your vote. Please try again He insists that this machine delivers the best coffee and it is ready as quickly as pouring the water into the reservoir. Sorry, we failed to record your vote. Please try again The convenience and the quick

ready to essential to us in the morning. Sorry, we failed to record your vote. Please try again In order to navigate out of this carousel please use your heading shortcut key to navigate to the next or previous heading. Page Count 12 SPECIFICATIONS Electrical UL listed for household use only. This brewer has an attached, 3 prong grounded cord set and requires 2 wire service with ground, rated 120 volts ac, 7 1 2 amps, single phase, 60 Hz. Components include an 800 watt tank heater, 34 watt tank "Keep Warm" heater and 46 watt decanter warmer; 900 watts total. Dimensions 14 1 4 inches high; 7 inches wide; 13 3 4 inches deep Brew Capacity Four to ten 5 ounce cups per batch. Weight 8 pounds; includes decanter, liter s, coffee funnel, and delimiting spring probe. HIGH ALTITUDE USE Your BUNN coffee brewer is designed to operate in most areas of the country. For high altitude use, over 5000 feet, the models with a "D" designation should be used. The plug is provided with a round grounding pin.

<http://cohn-vossen.com/wp-content/plugins/formcraft/file-upload/server/content/files/1626d26fcc2f7c---california-cdl-manual-spanish.pdf>

This is a safety feature and allows the plug to fit into a properly grounded outlet. If the plug does not fit into the outlet, contact an electrician to update your outlet. Use extreme caution since it may be hot, retighten the sprayhead with your ng er tips. NOTE A severe burn may result if the sprayhead become loose and falls off while brewing. Step 2 Slide an empty brew funnel into the brewer under the warmer switch. Pour one decanter full of water into the screened area on top of the brewer. Place decanter on the warmer. Close lid. Wait three minutes to allow the water to flow into the tank. Repeat this process. When the tank is full, some water will flow through the funnel and into the decanter. P2240 P2247 P214 P219 Step 4 Press the bottom of the vacation switch, located on the lower left side of the brewer, to the "ON" lower position. The vacation switch controls power to the tank heater. Initially you will have to wait approximately fifteen minutes in order for the water to reach brew temperature. Empty any water that has collected in the decanter. Slide the brew funnel into the brewer under the warmer switch. Place the lighted warmer switch in the "ON" position. Raise the hinged lid and pour a decanter of water into the top of the brewer. Place the decanter on the warmer, THEN close the lid. Lid should also remain closed when brewer is not in operation. P206 P205 P2241 P2247 P215 When brewing has stopped, remove the brew funnel and discard the liter and grounds. Do not touch hot grounds. NOTE Opening the lid during brew cycle will interrupt the flow of water into the tank, but will not interrupt the brewing process. The brewed coffee already in the funnel will empty into the decanter. When lid is closed, the flow of water into the funnel will resume until the brewing cycle is complete. WARNING Do not close the lid after pouring in water, without the decanter in place. Closing the lid releases the hot water.

This is hotter than the hot water from your faucet and must be handled with care. Step 1 Step 2 Step 3 Step 4 Step 5 OFF ON BUNN 6 4 8 10 ON WARMER BUNN OFF BUNN 6 4 8 10 Both require a good recipe. Proper coffee brewing requires quality equipment to precisely control water temperature, volume, and brew time. The only variables remaining in the recipe are the grind and amount of coffee used. The amount of ground coffee is generally determined by the grind. For best results, we recommend a drip medium grind. Hot water extracts many elements from the coffee. The amount of coffee used and the amount of water passed through the coffee determines strength. Increasing the amount of coffee results in a stronger beverage. Decreasing the amount of coffee with the same amount of water results in a weaker beverage. Too much water and too little coffee can result in over extraction. As the amount of coffee decreases, you'll note an increase in the bitterness of the beverage. This happens because the hot water begins to remove the undesirable elements after all of the desirable elements have been extracted. Fresh ground coffee gives the best results. Always store ground coffee in a cool, dry area away from other food items with strong odors. When stored in a refrigerator, keep coffee in an airtight container. BREWING TIPS When coffee is properly brewed, the difference between the best quality ground coffee and a

poor quality ground coffee becomes very dramatic. Adjust the recipe until it suits you. If you need to make a smaller batch, experiment with less water and ground coffee. Minimum batch is 4 cups as indicated on the decanter. 5 Keep the beverage at the correct serving temperature by setting the decanter on the porcelain warmer. For the freshest flavor, don't hold brewed coffee on the warmer for longer than an hour.

DECANTER HANDLE MAINTENANCE Using a standard screw driver, periodically tighten the screw in the handle. Be careful not to overtighten the screw. Occasionally, wipe the outside of the brewer including the area above the funnel with a damp cloth. The brew funnel and decanter are top rack dishwasher safe. **DELIMING** Periodically, you should delime the brewer to clear any deposits that may have accumulated due to impurities in the water source. **NOTE** Unplug the brewer and let it cool down before deliming. 1 Unscrew the sprayhead with your fingertips and set it aside. 2 Insert all but two inches of the exhible deliming tool supplied into the sprayhead tube. 3 Slide the tool in and out vertically six times to loosen lime in the sprayhead tube. Remove the tool. 4 Pour one decanter of fresh water into the brewer, set the empty decanter on the warmer, and close the lid. 5 Check the holes in the sprayhead. If plugged with lime, they may be cleared by using a toothpick. Clean the sprayhead with a cloth and mild detergent. Rinse the sprayhead with water before reinstalling. 6 Plug in the brewer and allow the water in the tank to reheat before using. The frequency of deliming depends on the mineral content of your water. Recommended at least every three months 1 Slide an empty brew funnel into the brewer under the warmer switch and center an empty decanter on the warmer. 2 Pour one quart of white vinegar into the top of the brewer and close the lid. Empty the decanter when liquid stops flowing from the funnel. 3 Allow the brewer to sit for two hours. 4 Unplug the brewer. Remove the brew funnel and sprayhead from the brewer and set them aside. Clean the sprayhead with a cloth and mild detergent. 5 To drain the brewer, continue to Step 6, OR to clear vinegar out of brewer without draining, pour a decanter of fresh, cold water through the brewer. Place decanter on warmer, then close the lid to allow the water to run through the brewer.

After it has run through, empty decanter, and repeat the process approximately 8-10 times. Proceed to Step 9. 6 Cool the brewer by pouring a full decanter of fresh, cold water into the top of the brewer. Place decanter on warmer, close lid. When water has stopped flowing from the brewer, empty the decanter. Repeat this process one more time, then set the decanter aside. Most of the water in the tank will flow from the sprayhead tube opening. Some water may flow from the area around the top lid. Continue tipping the brewer until the flow stops. 8 Replace the sprayhead and funnel after the water has been drained. Pour a decanter of water into the top of the brewer. Place the decanter on the warmer, close the lid. Repeat this process with another decanter of water. Water will flow out of the funnel after the second decanter. When flow from the funnel has stopped, empty the decanter and pour an additional decanter of water into the brewer. Place the decanter on the warmer and close the lid. 9 If you have not replaced the sprayhead and funnel, do so now before proceeding. Taste the water coming out of the brewer. Follow steps 47 of the PERIODIC CLEANING section. **WATER QUALITY** Install a water conditioner if your water contains excessive amounts of sediment, taste, or odors. While this is not unusual in coffee brewing, it can be avoided by using slightly less coffee, a coarser grind, or both. P2245 P2766 P220 Paper Filter NCD BCW BUNN COFFEE GRINDER Large burrs make beans not pulverize to the correct size and shape for maximum average extraction. High capacity bean hopper keeps up to one full pound of coffee fresh for days. If such a defect appears during the warranty period, we will at our sole option repair or replace the defective Brewer with no charge for service or parts, provided the Brewer is delivered at the customer's expense to one of the authorized service centers listed on page 10 of this booklet.

This warranty does not cover claims resulting from misuse, failure to follow instructions on installa

tion and use, use with water having a high mineral content, neglect, use of unauthorized attachments, commercial use, use on a current or voltage other than specified on the Brewer, or unauthorized service during the warranty period on conditions otherwise covered by warranty. This warranty gives you specific legal rights, and you may have other rights which vary from state to state. Consumers should check with recalling firms for further details. Consumers should stop using recalled products immediately unless otherwise instructed. It is illegal to resell or attempt to resell a recalled consumer product. Consumers can contact the firm to obtain a free repair or purchase a new unit at a discount. CPSC's work to ensure the safety of consumer products has contributed to a decline in the rate of deaths and injuries associated with consumer products over the past 40 years. CPSC does not control this external site or its privacy policy and cannot attest to the accuracy of the information it contains. You may wish to review the privacy policy of the external site as its information collection practices may differ from ours. Linking to this external site does not constitute an endorsement of the site or the information it contains by CPSC or any of its employees. Please read full description for details BUNN GRB Model. BUNN GRB Speed Brew Model 10 Cup Coffee Brewer. The brewer for you if you love classic quick brew technology. I have always wanted a Bunn coffee maker but the price was too high. So the next best thing was to buy one used. I purchased one off of ebay that the seller said was in very good shape and that all I needed to do was to run a few pots of water through it to clean it out. Well it would barely trickle the water out when heated up. So, I carefully disassembled the whole unit. What I found would make one sick.

I totally cleaned and sanitized the holding tank as well as all tubes and anything that water came into contact with. Put it all back together and made my first pot of water. It worked like a new machine. I have been using it every morning for the past three months with perfect results. Final analysis, when purchasing any coffee pot that used a holding tank for hot water. One has to either take it apart and clean out the calcium sludge that builds up or buy a new coffee pot. Don't count on any of those chemical treatments that claim it cleans out coffee pots for they don't. They only clean surface calcium not the heavier than water impurities. They just stay down there and collect until the unit does not work. I plan on cleaning it every year by taking it apart. I have always loved Bunn Coffeemakers. They are amazingly fast, but tend to be expensive. So after about 10 years, when my last Bunn went out, I bought a cheap well known brand. It was horrible. When you are used to having a cup of coffee ready in like 2 minutes and have to wait for 5 or more, you tend to hate the coffeemaker. As usual, I kept watching Ebay and sure enough, I found one at a reasonable price. Now I let the dog out after pouring my water, and when I walk back to the coffeemaker, it's ready. My company replaced the horrid coffee service two years ago by buying us a Bunn coffee maker which I adopted as my own. It improved our coffee immeasurably in comparison to the Folgers blocks provided by the service. Not to mention, improving everyone's disposition as well. I needed to find a gift for my wife for Valentines Day, and decided to get a Bunn machine for our home. We don't drink coffee in the evening, but made an exception as it arrived on our door step after work. It is a marvelous machine and brews an exceptional cup of coffee and does not cost the hundreds of dollars other machines can set you back. The brewing takes only 3 minutes and the coffee comes out perfect every time.

I will never buy another, as this is the best. It can be pricy, but it's well worth the price. I suggest you pair this with a good bean grinder DeLonghi K79 and you will have a system that will work fantastic. Verisign. Please check your inbox, and if you can't find it, check your spam folder to make sure it didn't end up there. Please also check your spam folder. This warranty does not apply to any equipment, component or part that was not manufactured by Bunn or that, in Bunn's judgement, has been affected by misuse, neglect, alteration, improper installation or operation, improper maintenance or repair, damage or casualty. Accordingly, statements by such individuals, whether oral or written, do not constitute warranties and should not be relied upon. If requested by Bunn, the Buyer shall ship the defective equipment prepaid to an authorized Bunn service location. If Bunn

determines, in its sole discretion, that the equipment does not conform to the warranty, Bunn shall repair the equipment with no charge for parts during the one year warranty period and no charge for labor by a Bunn Authorized Service Representative during the one year warranty period. If Bunn determines that repair is not feasible, Bunn shall, at its sole option, replace the equipment or refund the purchase price for the equipment. Replace unreadable or damaged labels. Electrically ground the chassis. Do not use near combustibles. They are operated by moving the levers located at the bottom of the machine from to sidetoside; they can be placed in a continuously open position if required. The outlet tubes can also be rotated. The safety valve assures that boiler pressure never exceeds the safety limits; it automatically discharges steam when pressure inside the boiler exceeds 1.8 bar 26.1 psi. The water heating element is an electric resistance unit controlled by a pressure switch. This switch automatically regulates the pressure of steam in the boiler.

<http://www.drupalitalia.org/node/76557>